



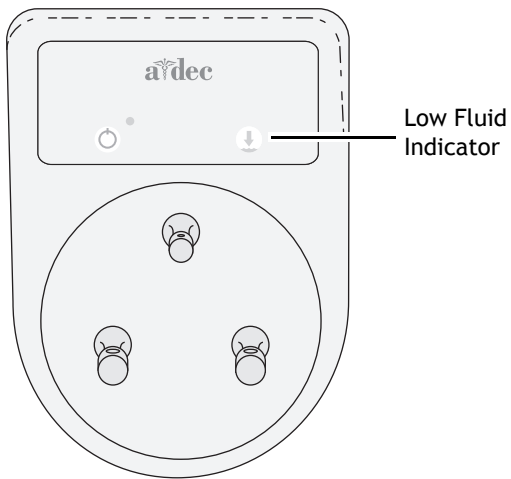
ICV

INSTRUCTIONS FOR USE

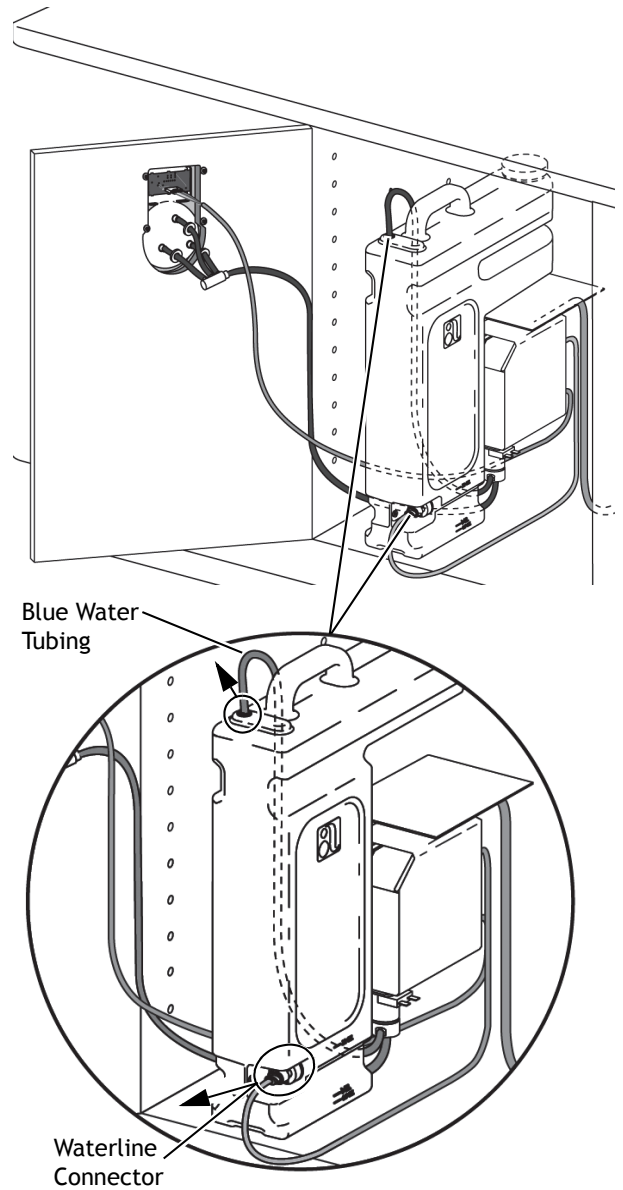


Fill the ICV Tank

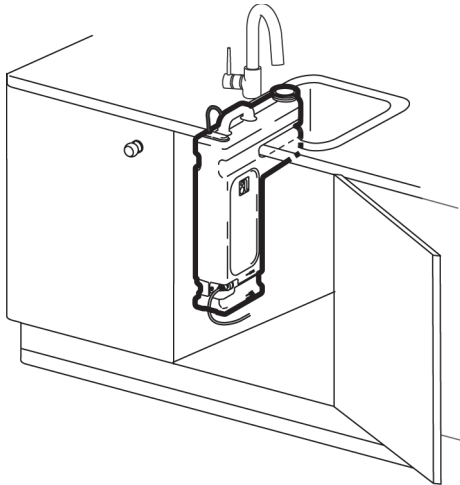
Fill the tank when the low fluid indicator is lighted.



1. Pull the blue water tubing and the water level connector off of the tank's connectors.



2. Remove the cap from the tank and add cleaner and water per the cleaner manufacturer's recommendation.



3. Reinstall the cap on the tank.
4. Reconnect the water tubing and the water level connector on the tank's connectors.

Clean the Vacuum Instrumentation

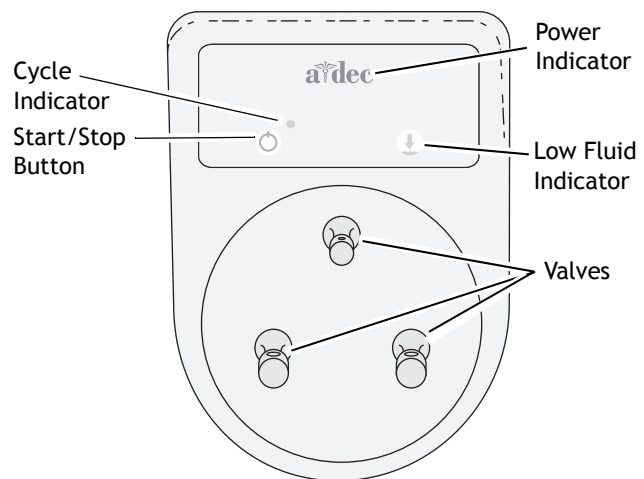
1. Connect the handpiece tubing to the ICV.
2. Open the valve(s).
3. Press the start/stop button.



CAUTION To prevent damage to the ICV, ensure at least one tubing is attached, its valve is open, and fluid is in the tank.



NOTE This product is rated 100-120/220-240 VAC, 50-60 Hz, 0.5 A.



A-dec Headquarters
2601 Crestview Drive
Newberg, OR 97132 USA
Tel: 1.800.547.1883 Within USA/CAN
Tel: 1.503.538.7478 Outside USA/CAN
Fax: 1.503.538.0276
www.a-dec.com

A-dec Australia
Unit 8
5-9 Ricketty Street
Mascot, NSW 2020
Australia
Tel: 1.800.225.010 within AUS
Tel: +61.(0).2.8332.4000 outside AUS

A-dec China
A-dec (Hangzhou) Dental Equipment Co., Ltd.
528 Shunfeng Road
Qianjiang Economic Development Zone
Hangzhou 311106
Zhejiang, China
Tel: +1.503.538.7478

A-dec United Kingdom
EU Authorized Representative
Austin House, 11 Liberty Way
Nuneaton, Warwickshire CV11 6RZ
England
Tel: 0800 ADECUK (233285) Within UK
Tel: +44 (0) 24 7635 0901 Outside UK

Regulatory Information

Regulatory information mandated by agency requirements is provided in the *Regulatory Information, Specifications, and Warranty* document (p/n 86.0221.00), which is available in the Document Library at www.a-dec.com.



86.0617.00 Rev E
Copyright 2016 A-dec Inc.
All rights reserved.
IFUev6